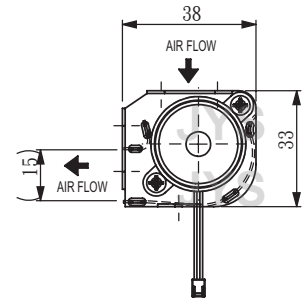
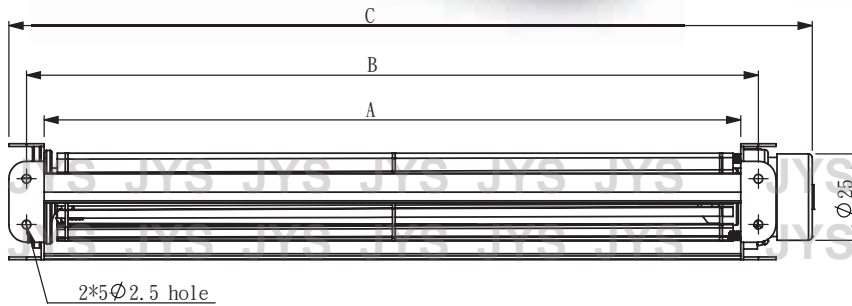
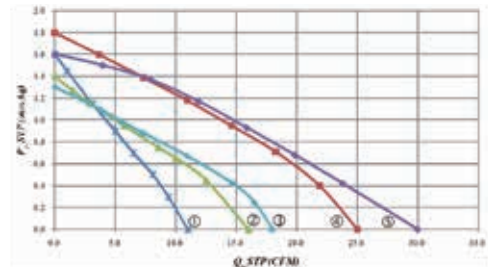


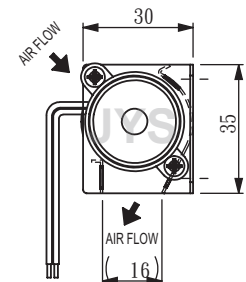
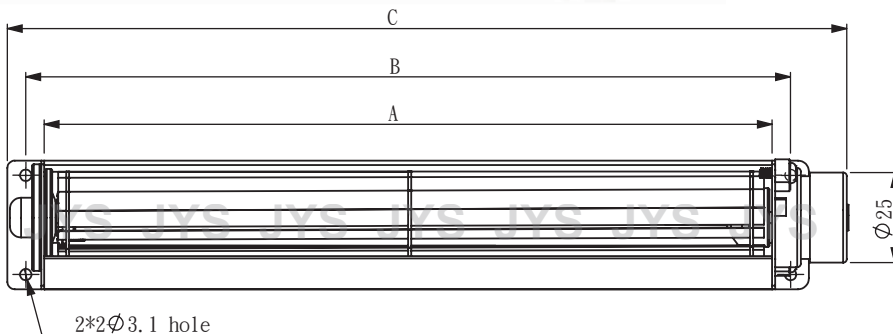
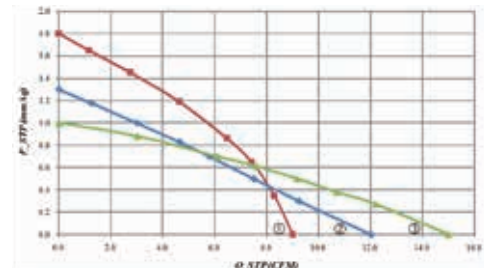
# JED-025A SERIES DC FAN



Motor : DC Brushless type

Spec. Model	Size (mm)			Rated Voltage (V)	Rated Current (A)	Speed (r.p.m.)	Max Pressure (mmAq)	Maximum Air Flow (m³/min)	CFM	Noise (dBA)	Safety Approval			Weight (g)
	A	B	C								UL	TUV	CE	
JED-02509A12-3B ①	98	108	128	12	0.11	3100	1.6	0.31	11	32			○	95
JED-02515A12-3B ②	160	170	190	12	0.13	2700	1.4	0.45	16	29			○	120
JED-02519A12-3B ③	198	208	228	12	0.14	2500	1.3	0.51	18	28			○	140
JED-02524A12-3B ④	250	260	280	12	0.20	2600	1.8	0.70	25	32			○	160
JED-02529A12-3B ⑤	298	308	328	12	0.21	2500	1.6	0.85	30	33			○	180

# JVD-025A SERIES DC FAN



Motor : DC Brushless type

Spec. Model	Size (mm)			Rated Voltage (V)	Rated Current (A)	Speed (r.p.m.)	Max Pressure (mmAq)	Maximum Air Flow (m³/min)	CFM	Noise (dBA)	Safety Approval			Weight (g)
	A	B	C								UL	TUV	CE	
JVD-02509A12-3B ①	98	108	128	12	0.13	3800	1.8	0.25	9	30	○		○	80
JVD-02515A12-3B ②	160	170	190	12	0.13	3550	1.3	0.35	12	31	○		○	100
JVD-02519A12-3B ③	198	208	228	12	0.13	3300	1.0	0.43	15	35	○		○	110