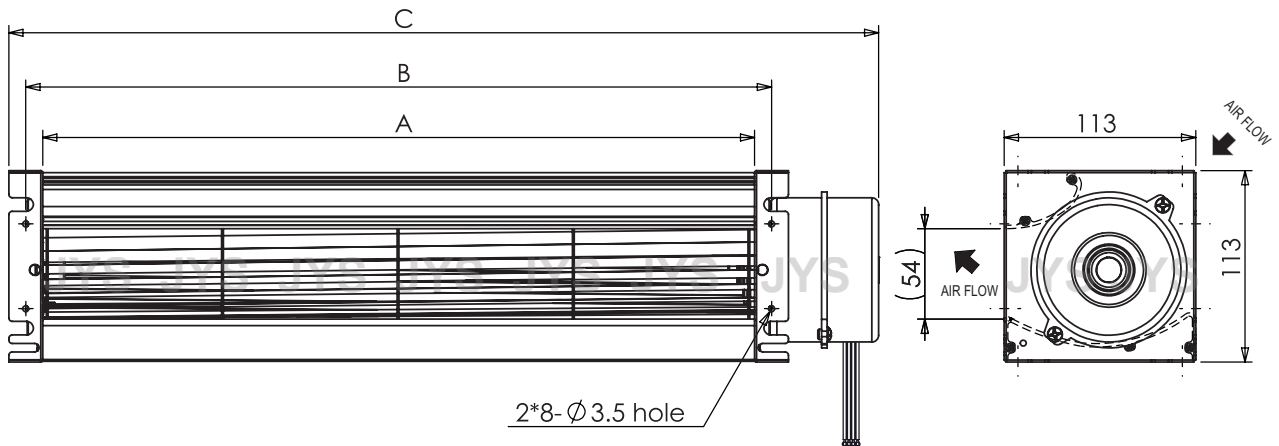


JHC-081A SERIES AC FAN



Motor : AC Capacity type 1 ϕ 4p

Model	Spec.			Size(mm)			Rated Voltage (V)	Rated Frequency (Hz)	Rated Current (A)	Input Power (W)	Speed (r.p.m.)	Max Pressure (mmAq)	Maximum Air Flow (m3/min)	Noise (dBA)	Weight (kg)
	A	B	C												
JHC-08142A1223-3B	420	440	513	120	50/60	0.25/0.29	26/31	1300/1450	1.3/1.8	5.2/5.8	44/47	2.3			
				230	50/60	0.14/0.16	27/31	1300/1350	1.3/1.8	5.2/5.5	44/46				
JHC-08150A1223-3B	500	520	593	120	50/60	0.25/0.29	27/32	1300/1400	1.4/1.9	6.6/7.1	44/46	2.4			
				230	50/60	0.15/0.16	27/32	1250/1300	1.3/1.8	6.3/6.6	43/44				
JHC-08160A1223-3B	600	620	693	120	50/60	0.33/0.37	35/41	1250/1300	1.4/1.8	7.4/7.9	45/46	3.0			
				230	50/60	0.18/0.20	35/40	1200/1200	1.3/1.8	7.3/7.3	44/44				
JHC-08170A1223-3B	700	720	793	120	50/60	0.34/0.38	36/42	1250/1250	1.2/1.6	8.5/8.5	45/45	3.2			
				230	50/60	0.19/0.21	36/40	1150/1100	1.2/1.5	7.9/7.7	43/42				

JHC-08142A1223-3B

JHC-08150A1223-3B

JHC-08160A1223-3B

JHC-08170A1223-3B

