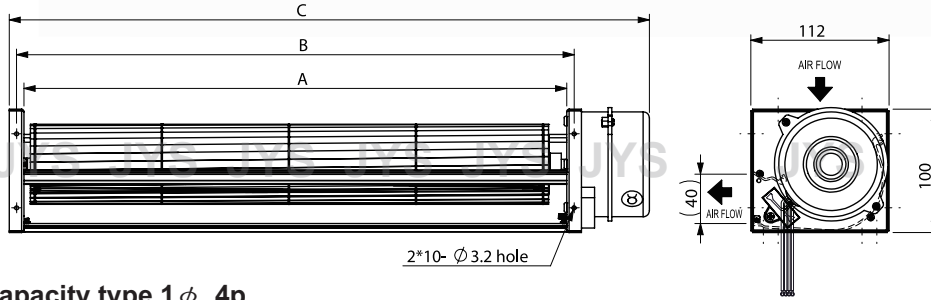




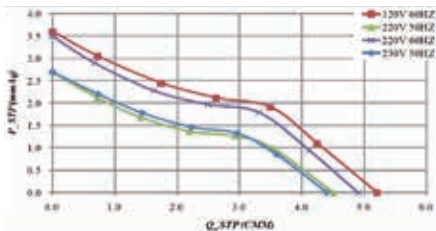
JGC-065A SERIES AC FAN



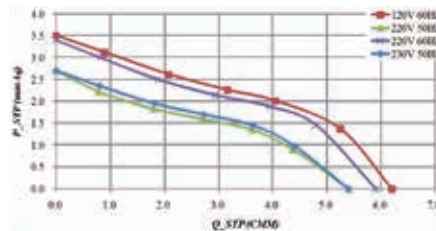
Motor : AC Capacity type 1 ϕ 4p

Model	Spec.			Size(mm)			Rated Voltage (V)	Rated Frequency (Hz)	Rated Current (A)	Input Power (W)	Speed (r.p.m.)	Max Pressure (mmAq)	Maximun Air Flow (m ³ /min)	Noise (dBA)	Weight (kg)
	A	B	C												
JGC-06530A1223-3B	320	332	399	120	60	0.26	27	1650	3.6	5.2	46	1.8			
				220	50/60	0.13/0.14	22/25	1400/1600	2.7/3.5	4.5/4.9	42/45				
				230	50	0.14	24	1400	2.7	4.4	42				
JGC-06536A1223-3B	380	392	459	120	60	0.27	29	1600	3.5	6.3	45	1.9			
				220	50/60	0.13/0.15	23/27	1350/1500	2.7/3.4	5.4/5.9	44/45				
				230	50	0.14	25	1350	2.7	5.4	44				
JGC-06542A1223-3B	440	452	519	120	60	0.27	30	1550	3.3	6.8	47	2.0			
				220	50/60	0.14/0.15	24/27	1350/1500	2.7/3.4	5.9/6.3	43/46				
				230	50	0.14	25	1350	2.7	5.9	43				
JGC-06550A1223-3B	520	532	599	120	60	0.28	30	1500	3.6	8.2	47	2.1			
				220	50/60	0.14/0.15	24/28	1300/1400	2.7/3.5	6.8/7.1	43/46				
				230	50	0.14	26	1300	2.7	6.8	43				
JGC-06560A1223-3B	620	632	699	120	60	0.35	38	1500	3.4	9.2	48	2.3			
				220	50/60	0.17/0.19	30/35	1300/1350	2.7/3.3	8.2/8.6	44/45				
				230	50	0.18	33	1300	2.7	8.2	44				
JGC-06570A1223-3B	720	732	799	120	60	0.36	38	1450	3.3	10.0	47	2.4			
				220	50/60	0.17/0.19	31/35	1250/1300	2.4/3.2	9.1/9.3	43/44				
				230	50	0.18	34	1300	2.5	9.3	43				

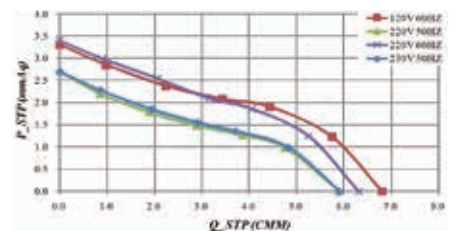
JGC-06530A1223-3B



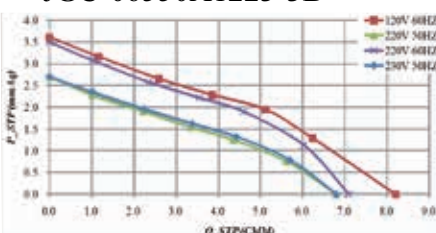
JGC-06536A1223-3B



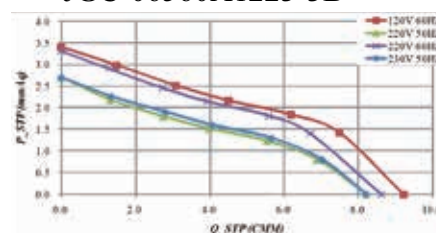
JGC-06542A1223-3B



JGC-06550A1223-3B



JGC-06560A1223-3B



JGC-06570A1223-3B

