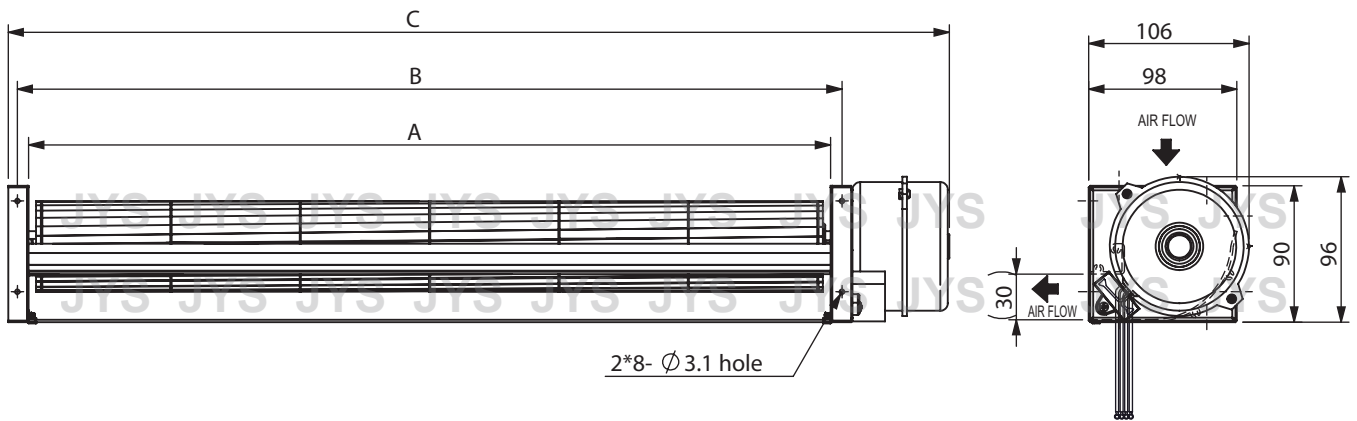




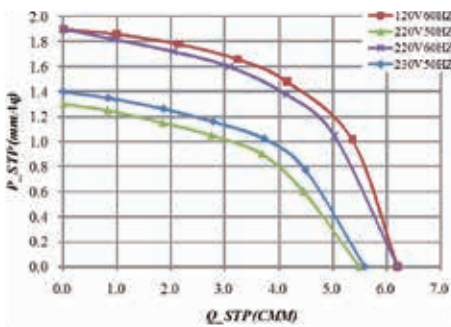
# JGC-060A SERIES AC FAN



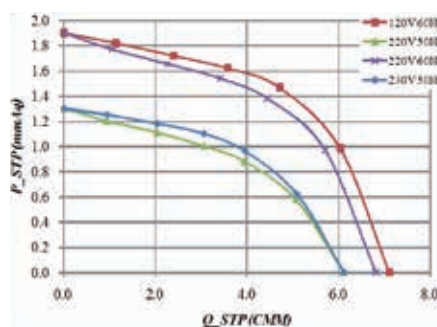
Motor : AC Capacity type 1  $\phi$  4p

Model	Spec.	Size(mm)			Rated Voltage (V)	Rated Frequency (Hz)	Rated Current (A)	Input Power (W)	Speed (r.p.m.)	Max Pressure (mmAq)	Maximum Air Flow (m <sup>3</sup> /min)	Noise (dBA)	Weight (kg)
		A	B	C									
JGC-06052A1223-3B		530	545	622	120	60	0.28	31	1600	1.9	6.2	42	2.1
					220	50/60	0.15/0.16	26/29	1350/1600	1.3/1.9	5.5/6.2	37/42	
					230	50	0.15	28	1400	1.4	5.6	38	
JGC-06060A1223-3B		610	625	702	120	60	0.29	31	1600	1.9	7.1	42	2.2
					220	50/60	0.15/0.16	26/29	1350/1550	1.3/1.9	6.1/6.8	37/41	
					230	50	0.15	28	1350	1.3	6.1	37	
JGC-06070A1223-3B		710	725	802	120	60	0.27	29	1600	1.9	8.2	42	2.3
					220	50/60	0.13/0.15	23/27	1350/1500	1.3/1.8	7.0/7.7	38/41	
					230	50	0.14	25	1350	1.3	7.1	38	

JGC-06052A1223-3B



JGC-06060A1223-3B



JGC-06070A1223-3B

