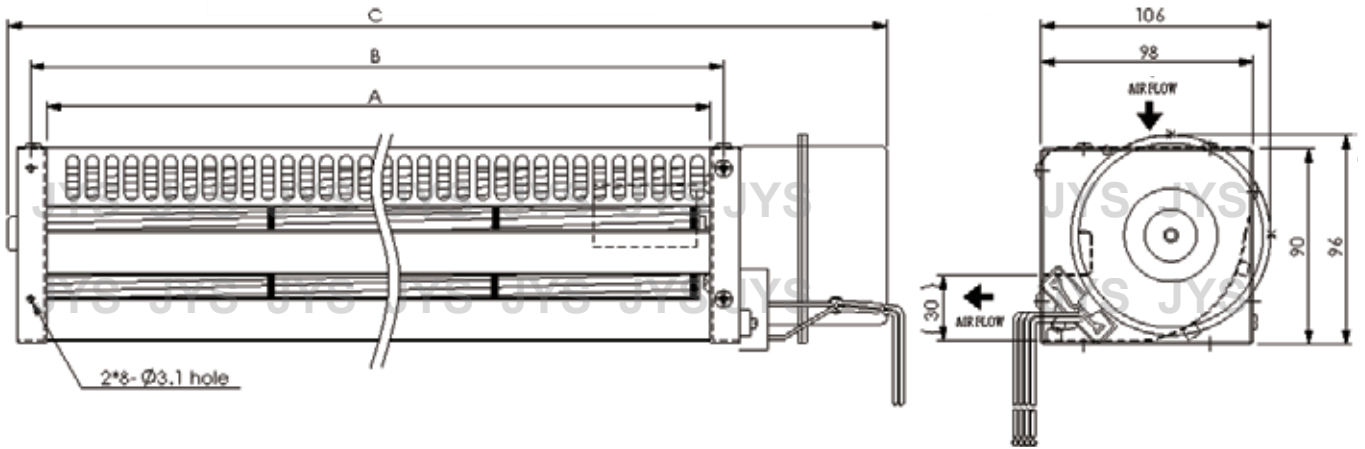
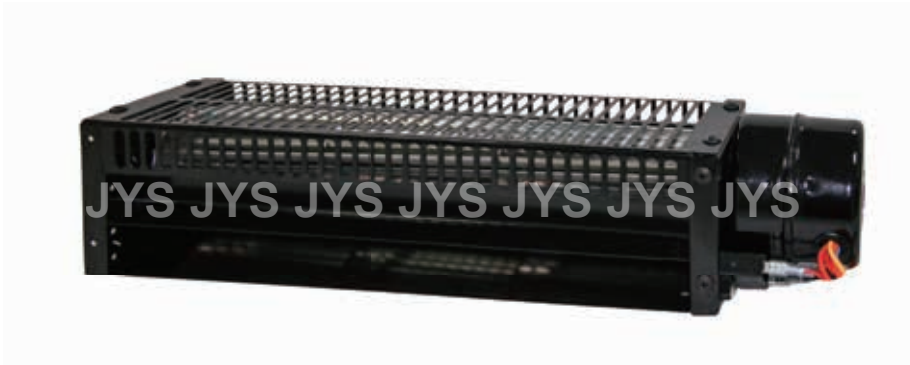




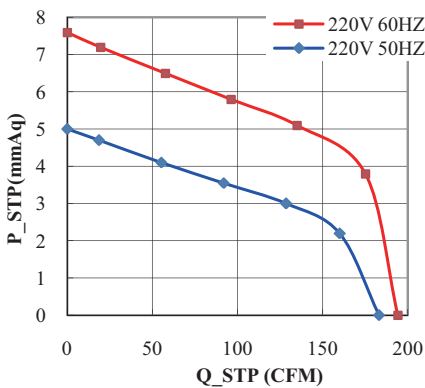
# JEC-060A SERIES AC FAN



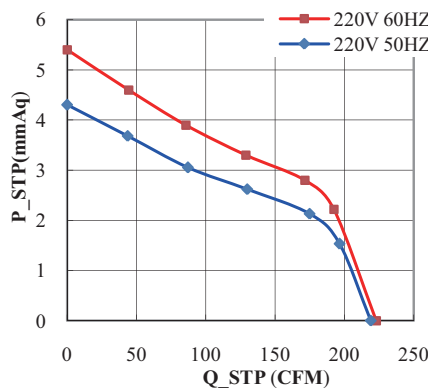
Motor : AC Capacity type 1 $\phi$  2p  $\text{C}\epsilon$

Model	Spec.	Size (mm)			Rated Voltage (V)	Rated Frequency (Hz)	Rated Current (A)	Input Power (W)	Speed (r.p.m.)	Max Pressure (mmAq)	Maximum Air Flow (m <sup>3</sup> /min)	CFM	Noise (dBA)	Weight (kg)
		A	B	C										
JEC-06030A1223		306	321	405	110	60	0.32	35	2800	7.6	5.5	194	54	1.80
					120	60	0.32	39	2900	7.8	5.8	205	55	
					220	50/60	0.14/0.17	30/38	2600/2800	5.0/7.6	5.2/5.5	183/194	50/54	
					230	50	0.14	31	2600	5.0	5.2	183	50	
JEC-06036A1223		368	383	467	110	60	0.34	38	2500	5.4	6.3	223	53	1.85
					120	60	0.35	42	2600	6.7	6.8	240	54	
					220	50/60	0.15/0.18	32/40	2500/2500	4.3/5.4	6.3/6.3	219/223	53/53	
					230	50	0.15	34	2500	5.3	6.3	223	53	
JEC-06042A1223		429	444	528	110	60	0.38	42	2400	4.8	6.8	240	52	1.95
					120	60	0.39	47	2600	5.9	7.5	267	54	
					220	50/60	0.16/0.19	35/43	2400/2400	4.1/5.0	6.6/6.6	234/234	52/52	
					230	50	0.16	36	2500	4.4	7.1	252	53	

JEC-06030A1223



JEC-06036A1223



JEC-06042A1223

