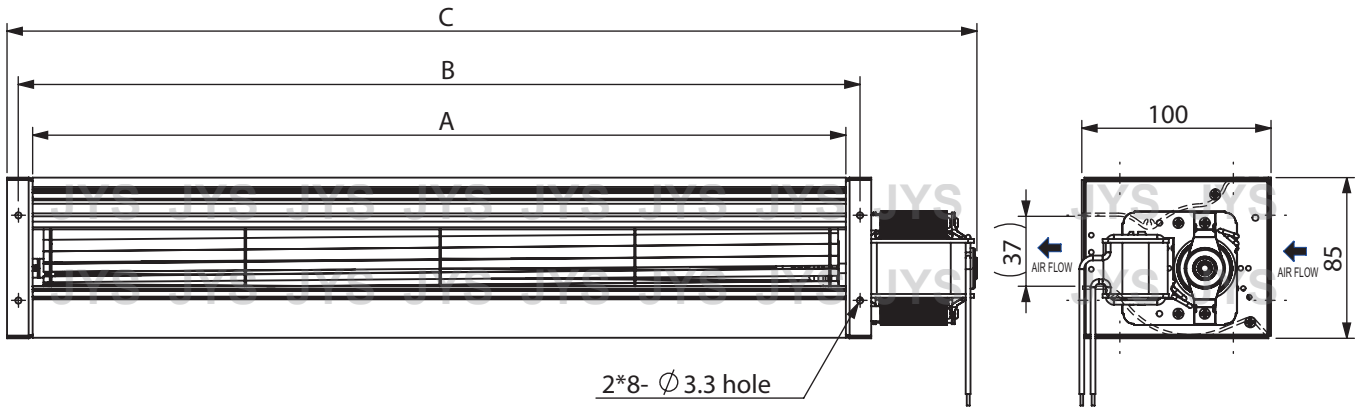


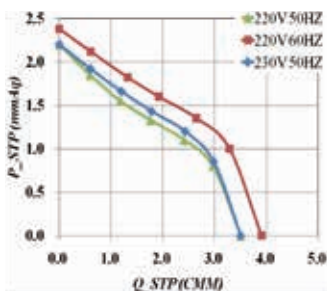
JM-060A SERIES AC FAN



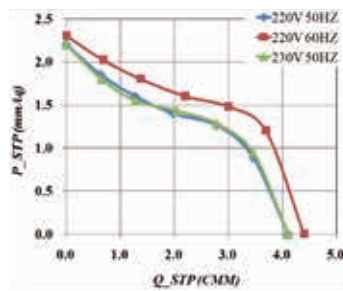
Motor : AC Shaded Pole type 1 φ 2p

Model	Spec.	Size(mm)			Rated Voltage (V)	Rated Frequency (Hz)	Rated Current (A)	Input Power (W)	Speed (r.p.m.)	Max Pressure (mmAq)	Maximum Air Flow (m ³ /min)	Noise (dBA)	Weight (kg)
		A	B	C									
JM-06030A23-3B		310	325	393	220	50/60	0.39/0.34	41/40	2750/3100	2.2/2.4	3.5/3.9	45/47	1.7
					230	50	0.42	45	2750	2.2	3.5	45	
JM-06036A23-3B		370	385	453	220	50/60	0.39/0.35	41/40	2700/3000	2.2/2.3	4.1/4.4	44/46	1.8
					230	50	0.42	45	2700	2.2	4.1	44	
JM-06042A23-3B		430	445	513	220	50/60	0.39/0.36	44/41	2650/2900	2.3/2.5	4.8/5.2	45/46	1.9
					230	50	0.42	47	2700	2.3	4.8	45	
JM-06052A23-3B		530	545	613	220	50/60	0.41/0.39	46/47	2600/2650	2.4/2.5	5.8/5.9	44/45	2.0
					230	50	0.44	50	2650	2.5	5.9	45	

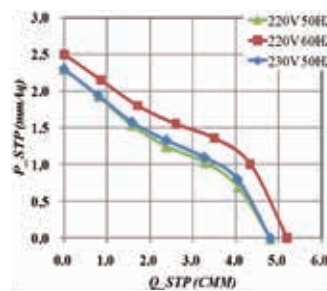
JM-06030A



JM-06036A



JM-06042A



JM-06052A

