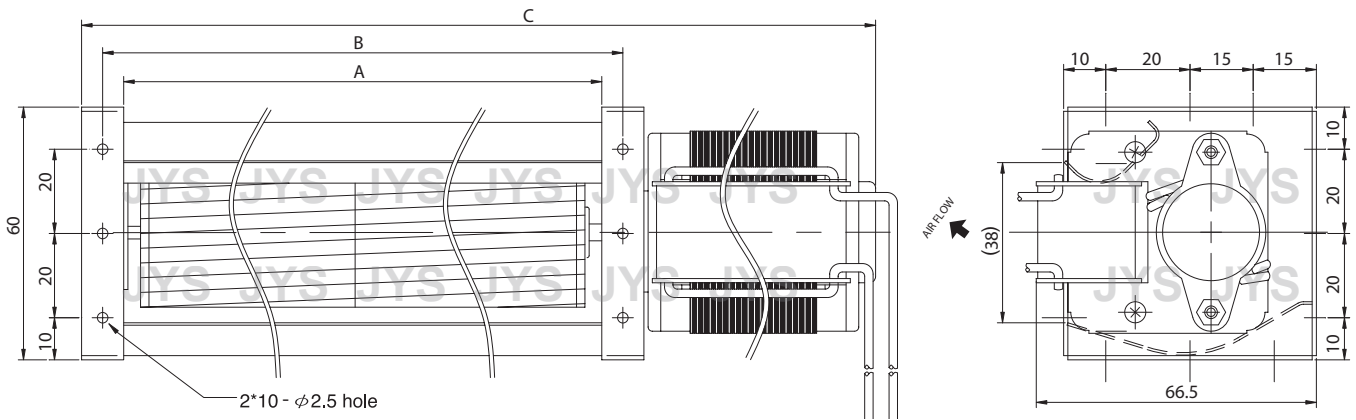


# JE-043A SERIES AC FAN



### Motor : AC Shaded Pole type 1 φ 2p

Model	Spec.	size (mm)			Rated Voltage (V)	Rated Frequency (Hz)	Rated Current (A)	Input Power (W)	Speed (r.p.m.)	Max Pressure (mmAq)	Maximum Air Flow (m <sup>3</sup> /min)	CFM	Noise (dBA)	Safety Approval			Weight (g)
		A	B	C										UL	TUV	CE	
JE-04309A12		98	108	160	120	50/60	0.14/0.12	10/9	2600/3000	1.1/1.6	0.7/0.8	25/28	37/40			O	520
JE-04309A23					230	50/60	0.08/0.07	10/9	2600/3000	1.1/1.6	0.7/0.8	25/28	38/41			O	
JE-04315A12		160	170	222	120	50/60	0.15/0.13	11/10	2300/2200	0.9/1.2	1.2/1.2	42/42	37/35			O	550
JE-04315A23					230	50/60	0.08/0.07	11/10	2300/2200	0.9/1.2	1.2/1.2	42/42	38/36			O	
JE-04319A12		198	208	264	120	50/60	0.22/0.19	15/14	2400/2500	0.9/1.2	1.5/1.6	53/56	39/40			O	650
JE-04319A23					230	50/60	0.09/0.08	13/12	2400/2500	0.9/1.2	1.5/1.6	53/56	38/36			O	
JE-04324A12		250	260	315	120	50/60	0.22/0.20	16/15	2400/2300	0.9/1.0	1.9/1.8	67/70	39/38	O	O	O	680
JE-04324A23					230	50/60	0.09/0.08	13/12	2300/2000	0.9/1.0	1.8/1.6	63/56	37/34			O	
JE-04329A12		300	310	375	120	50/60	0.32/0.29	22/21	2600/2900	1.2/1.4	2.5/2.7	88/95	44/45	O	O	O	890
JE-04329A23					230	50/60	0.14/0.13	19/18	2500/2500	1.2/1.4	2.5/2.5	88/88	43/42	O	O	O	
JE-04335A12		360	370	435	120	50/60	0.34/0.32	23/23	2500/2500	1.2/1.3	3.3/3.3	117/117	43/43	O	O	O	920
JE-04335A23					230	50/60	0.15/0.14	20/19	2400/2100	1.2/1.3	3.2/2.5	113/88	42/39	O	O	O	

