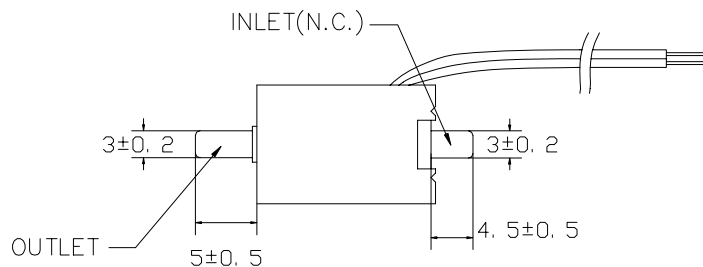
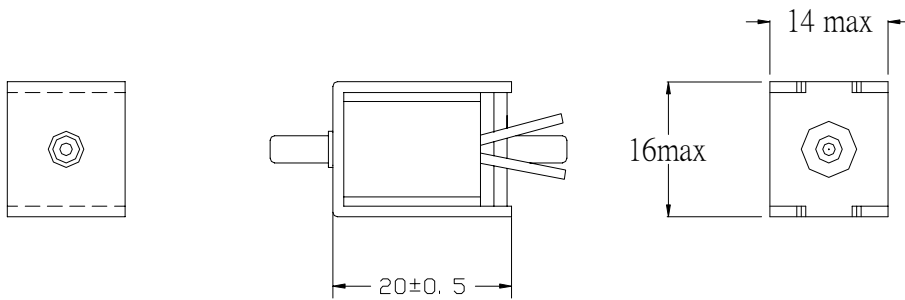


# JSV2WA

Photo:



Dimension:



Unit: mm

## Characteristic

|                     |                                                     |
|---------------------|-----------------------------------------------------|
| 1. Rated Voltage    | DC6V                                                |
| 2. Rated Current    | 375mA                                               |
| 3. Exhaust Time     | Max 4.0 sec (From 300mmHg to 15 mmHg at 500cc tank) |
| 4. Resistance       | 16Ω±10%                                             |
| 5. Leakage          | Max 5 mmHg/min (From 300mmHg at 500cc tank)         |
| 6. Insulation Grade | A                                                   |
| 7. Fluid Applied    | Air                                                 |