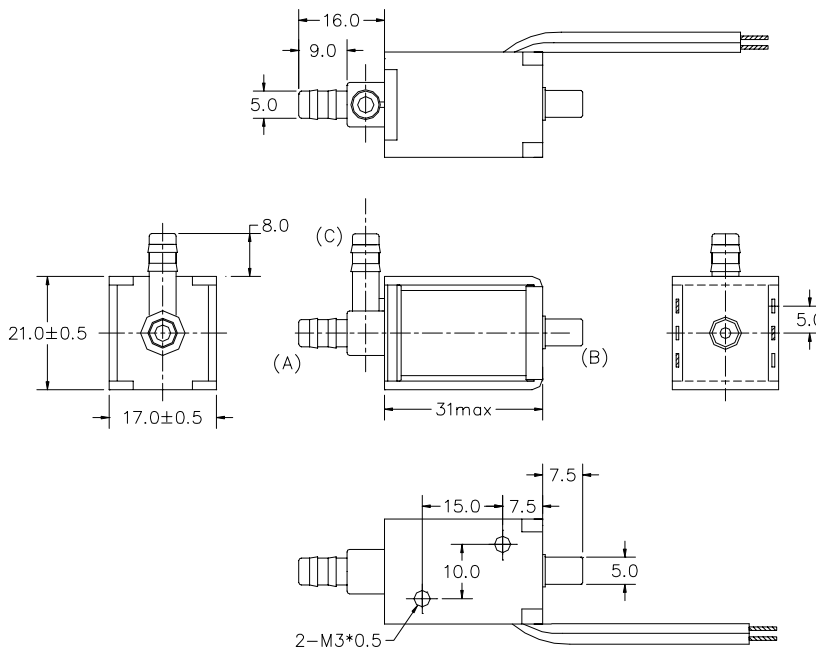


JSV3WC

Photo:



Dimension:



Unit: mm

Characteristic

1. Rated Voltage	DC12V
2. Rated Current	240mA
3. Exhaust Time	Max 5.0sec (From 300mmHg to 15 mmHg at 500cc tank)
4. Resistance	50 Ω ± 10%
5. Leakage	Max 15mmHg/min (From 260mmHg at 500cc tank)
6. Insulation Grade	A
7. Fluid Applied	Air