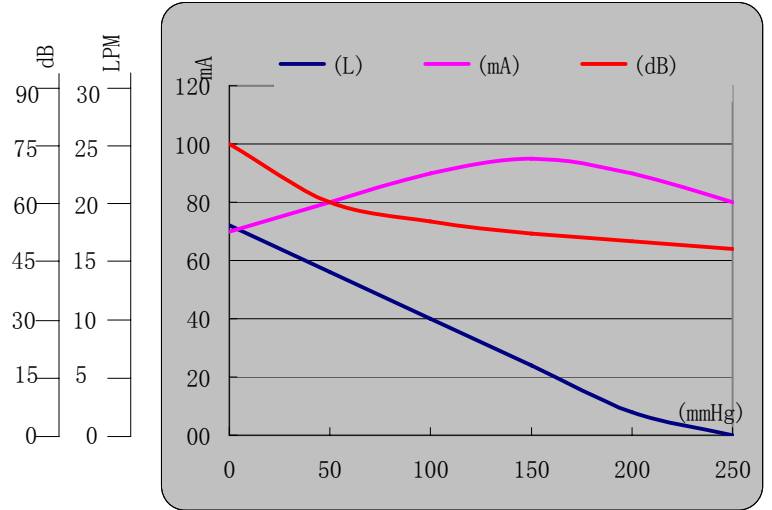


JPT57A

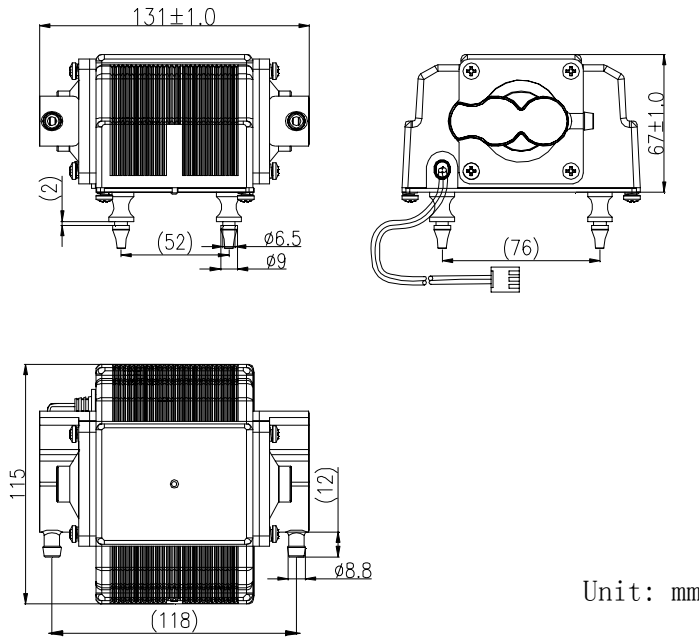
Photo:



Characteristic Curve:



Dimension



Characteristic

1. Rated Voltage	AC 220V
2. Rated Voltage	150mA (50Hz AC220V)/150mA (60Hz AC220V)
3. Power Consumption	20W(50Hz AC220V)/16W (60Hz AC220V)
4. Fluid Applied	Air
5. Outlet Port O.D.	8.8mm
6. Air Flow	25L(50Hz AC220V)/20L (60Hz AC220V)
7. Maximum Pressure	187mmHg(50Hz AC220V)/225mmHg (60Hz AC220V)
8. Restart Voltage	198V
9. Insulation Grade	E
10. Loaded Noise	<55dB (50cm away)
11. Life	3000Hr