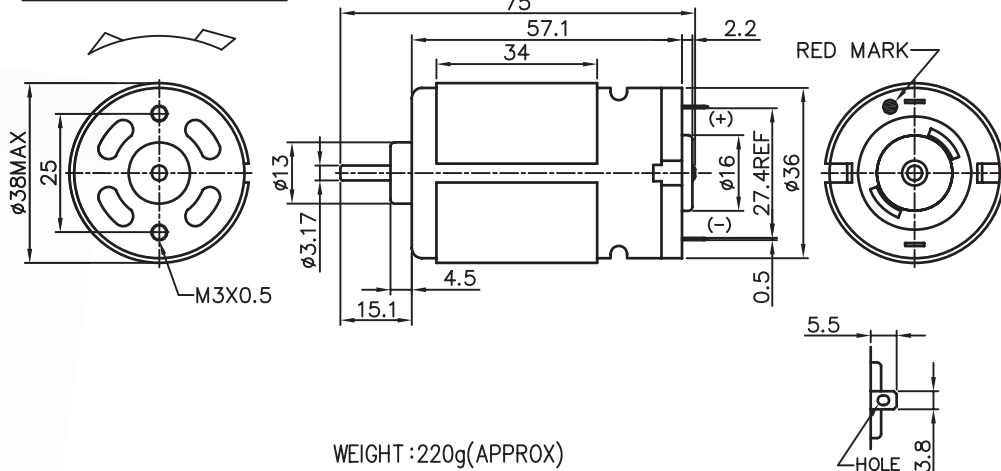


POINT : Paper Shredder 、 Vacuum Cleaner



DIRECTION OF ROTATION



WEIGHT : 220g(APPROX)

MODEL	VOLTAGE		NO LOAD		AT MAXIMUM EFFICIENCY					STALL			
	OPERATING RANGE	NOMNAL	SPEED	CURRENT	SPEED	CURRENT	TORQUE	OUTPUT	EFF	CURRENT	TORQUE		
			rpm	A	rpm	A	g-cm	mN-m	W	%	A	g-cm	mN-m
KD12N-11130	90 - 130	110V CONSTANT	8000	0.06	7000	0.22	275	26.96	19.63	76.43	1.52	2000	196.08
KD12N-11115	90 - 130	110V CONSTANT	9000	0.08	7600	0.27	275	26.96	21.50	71.78	1.62	1860	182.35
KD12N-10160	90 - 130	130V CONSTANT	7800	0.06	6500	0.21	289	28.33	19.40	71.77	1.10	1800	176.47
KD12N-10145	90 - 130	110V CONSTANT	7100	0.05	6100	0.17	210	20.59	13.45	73.86	1.09	1600	156.86

