

code 30.97331.00

Project code P5691

Stack M35

Poles 2

Voltage [V] 230

Frequency [Hz] 50 - 60

μ F 8

Vc 400

W 240

A 1.1

Rpm 2200

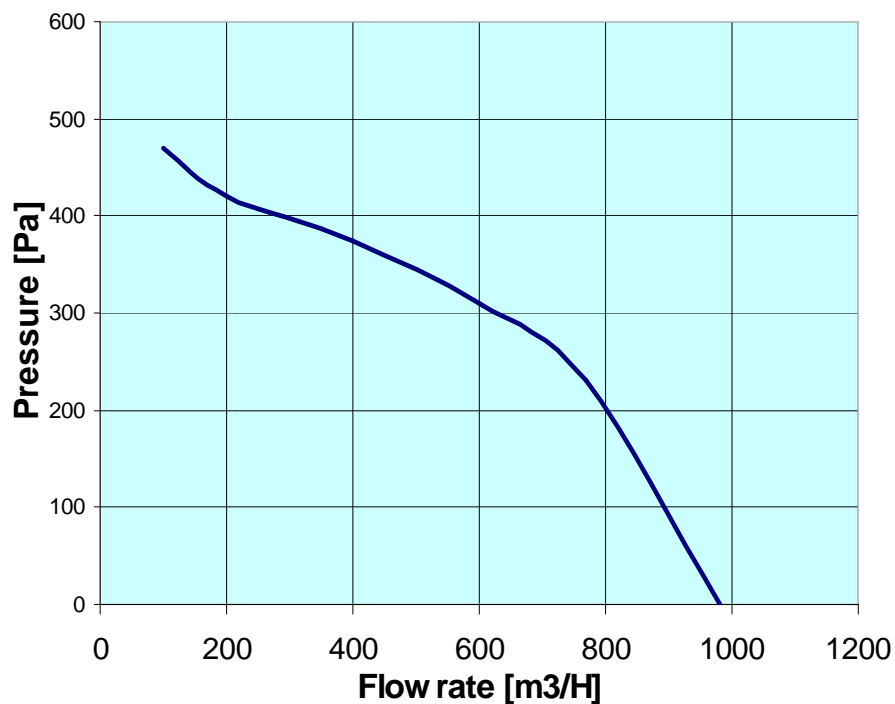
class F

Fanmotor

Fan 133 x 190

Speed 1

Scroll Mes 133 x 190

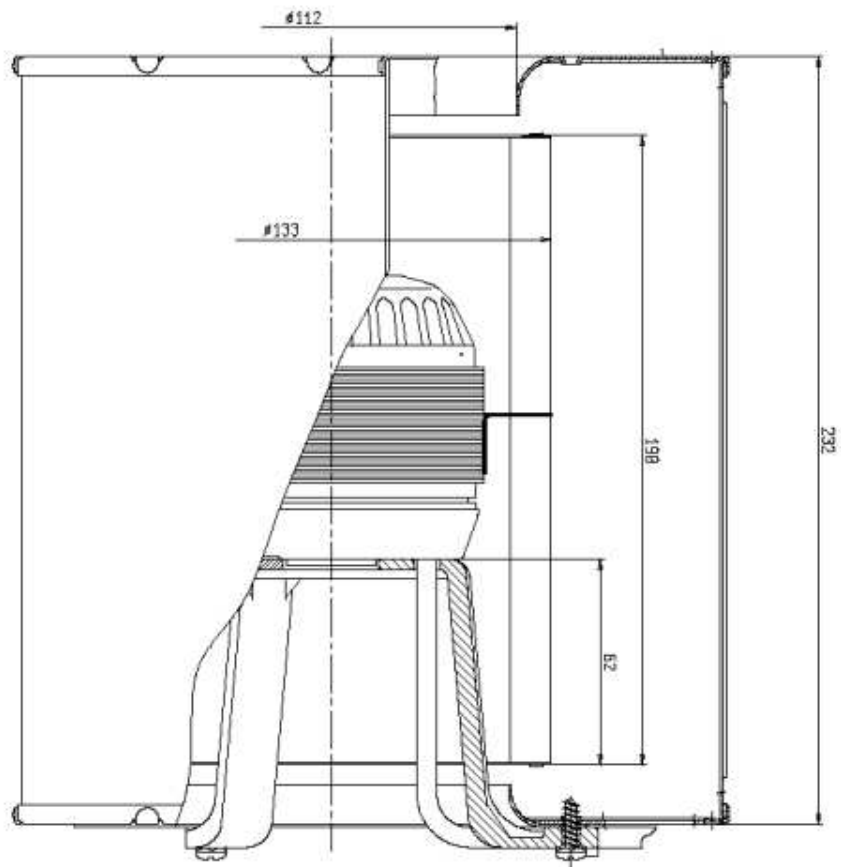
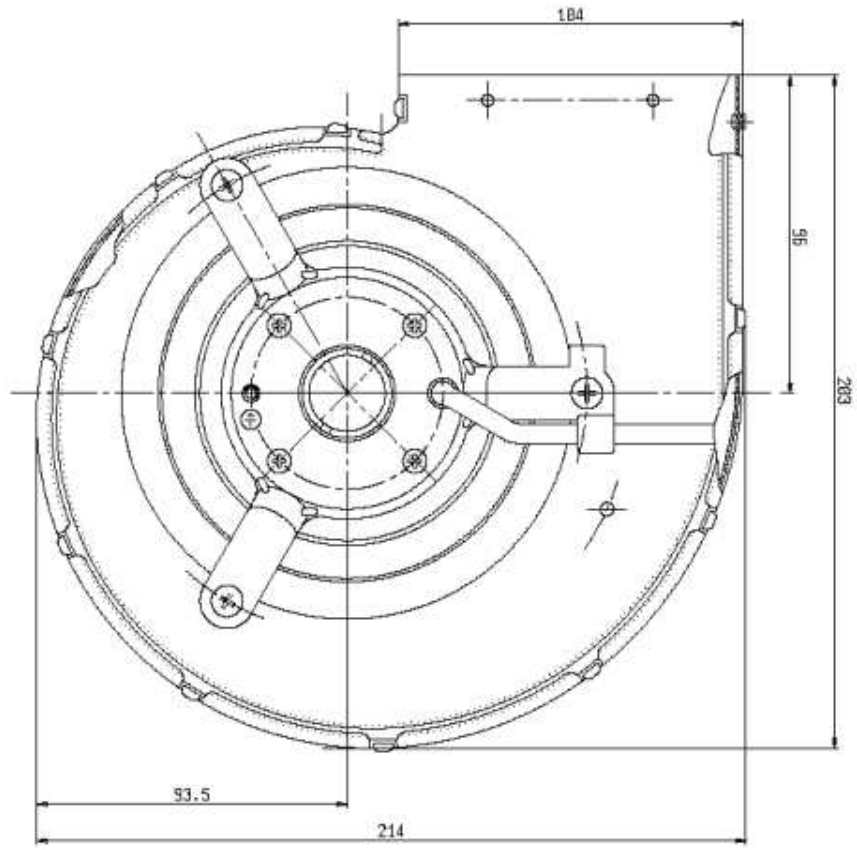


	Flow rate [m3/H]	Pressure [Pa]	Rpm	WI [w]	il [A]
V	100	470	2740	125	0,65
Hz	400	375	2600	148	0,73
	600	310	2420	170	0,81
	980	0	1450	232	1

V	Hz	μ F	Tested equipment	Δ Tm	Δ Ta	Rpm
244	50	8	Scroll f.a.	53	63	
244	50	8	Scroll p.c.	47	62	

Locked Rotor test

V	Hz	μ F	W	A
230	50	8		



code 30.97331.00

Project code P5691

Stack M35

Poles 2

Voltage [V] 230

Frequency [Hz] 50 - 60

μ F 8

Vc 400

W 240

A 1.1

Rpm 2200

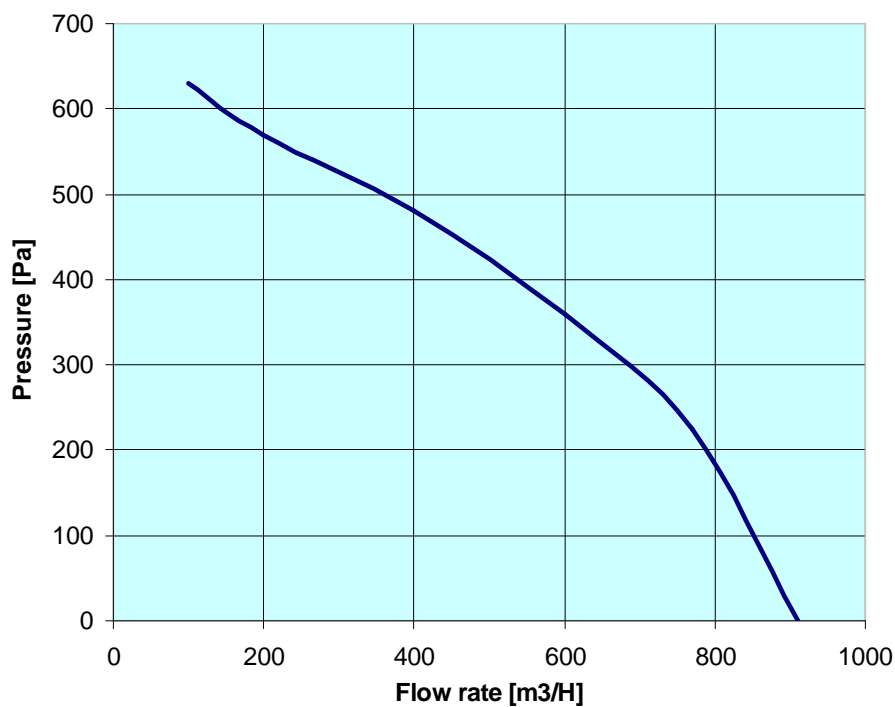
class F

Fanmotor

Fan 133 x 190

Speed 1

Scroll Mes 133 x 190



	Flow rate [m3/H]	Pressure [Pa]	Rpm	WI [w]	il [A]
V	100	630	3135	188	1
Hz	400	480	2940	208	1,04
	600	360	2615	226	1,06
	910	0	1350	250	1,1

V	Hz	μ F	Tested equipment	Δ Tm	Δ Ta	Rpm
244	60	8	Scroll f.a.	81,5	86	
244	60	8	Scroll p.c.	56	80	

Locked Rotor test

V	Hz	μ F	W	A
230	60	8		

