

code 30.97328.00

Project code P8985

Stack M35

Poles 2

Voltage [V] 230

Frequency [Hz] 50 - 60

μ F 2,5

Vc 400

W 113

A 0.49

Rpm 2180

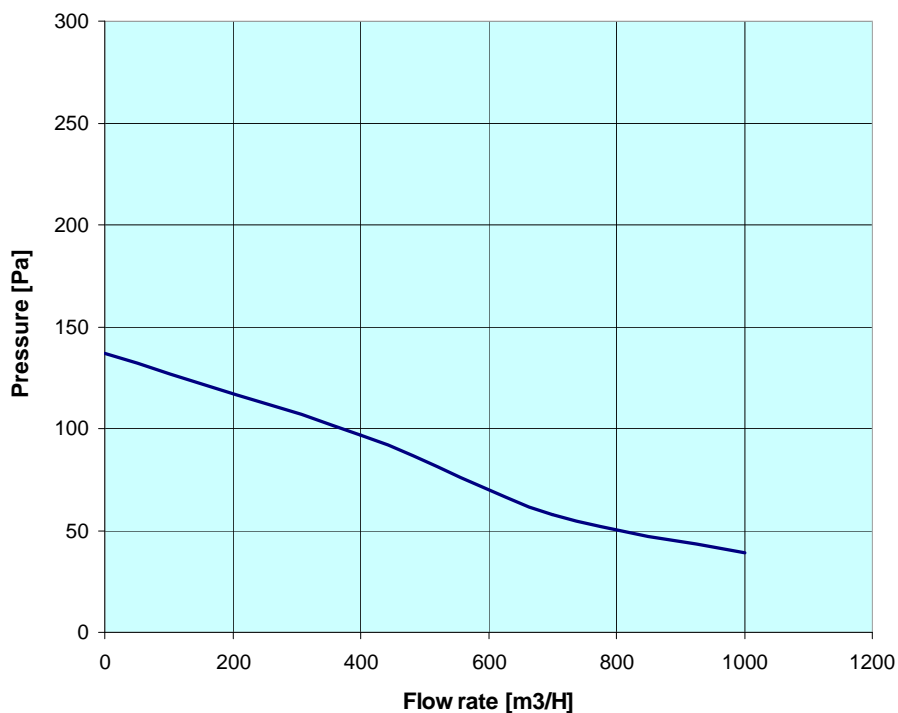
class F

Fanmotor

Fan AX 250

Speed 1

Scroll boccaglio AX 250 x

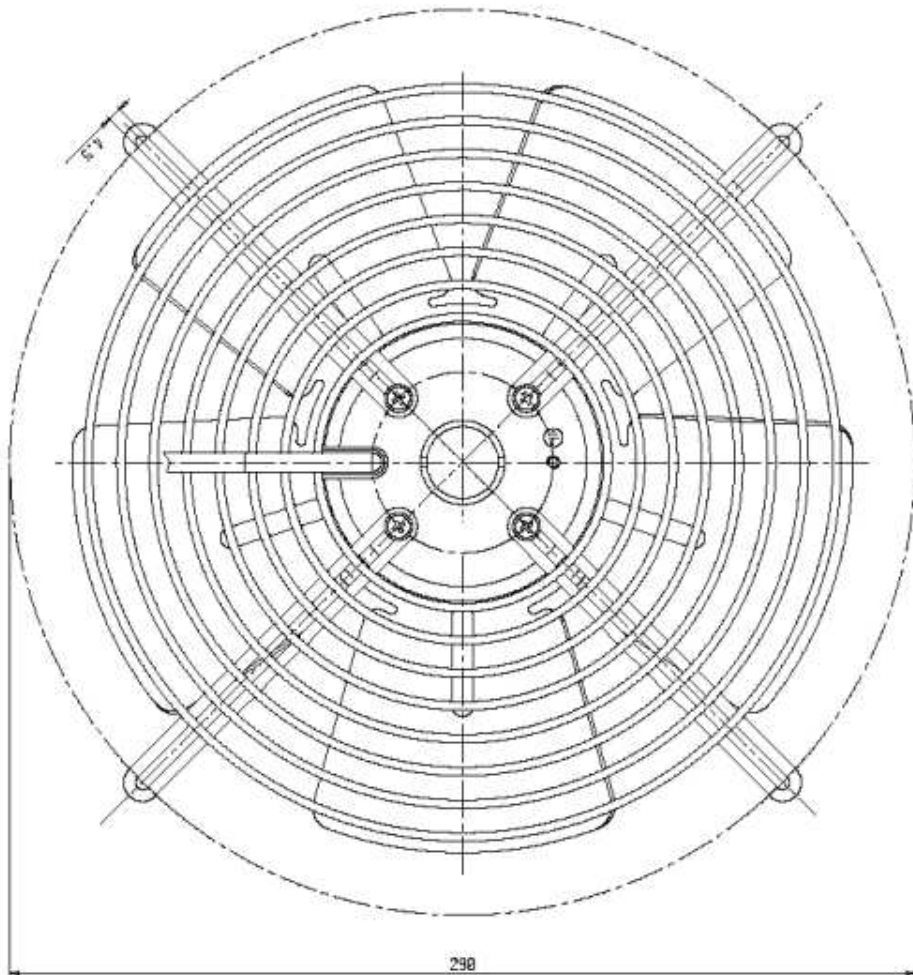
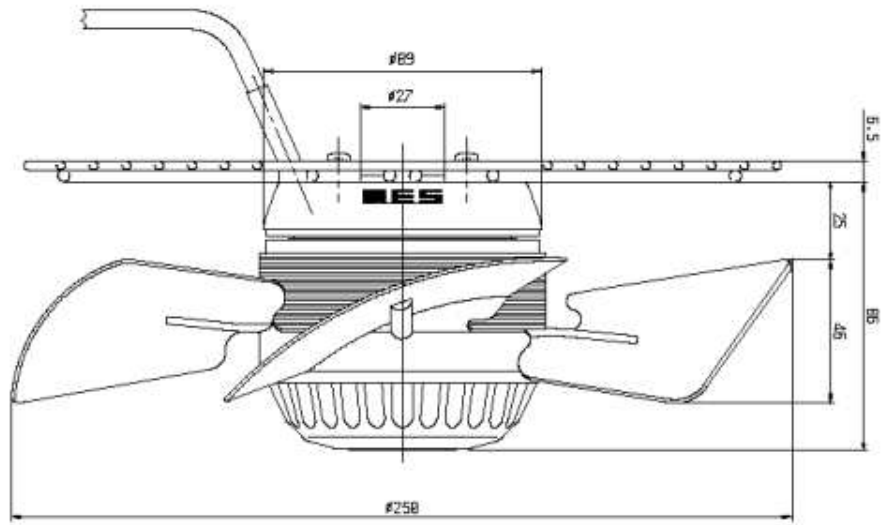


	Flow rate [m3/H]	Pressure [Pa]	Rpm	WI [w]	il [A]
V	0	137	1660	104	0,46
Hz	400	97	2075	96	0,41
	700	58	2280	86	0,375
	1000	39	2330	82	0,36

V	Hz	μ F	Tested equipment	Δ Tm	Δ Ta	Rpm
244	50	2,5	Free Air	42	41	
	50	2,5				

Locked Rotor test

V	Hz	μ F	W	A
230	50	2,5		



code 30.97328.00

Project code P8985

Stack M35

Poles 2

Voltage [V] 230

Frequency [Hz] 50 - 60

μ F 2,5

Vc 400

W 113

A 0.49

Rpm 2180

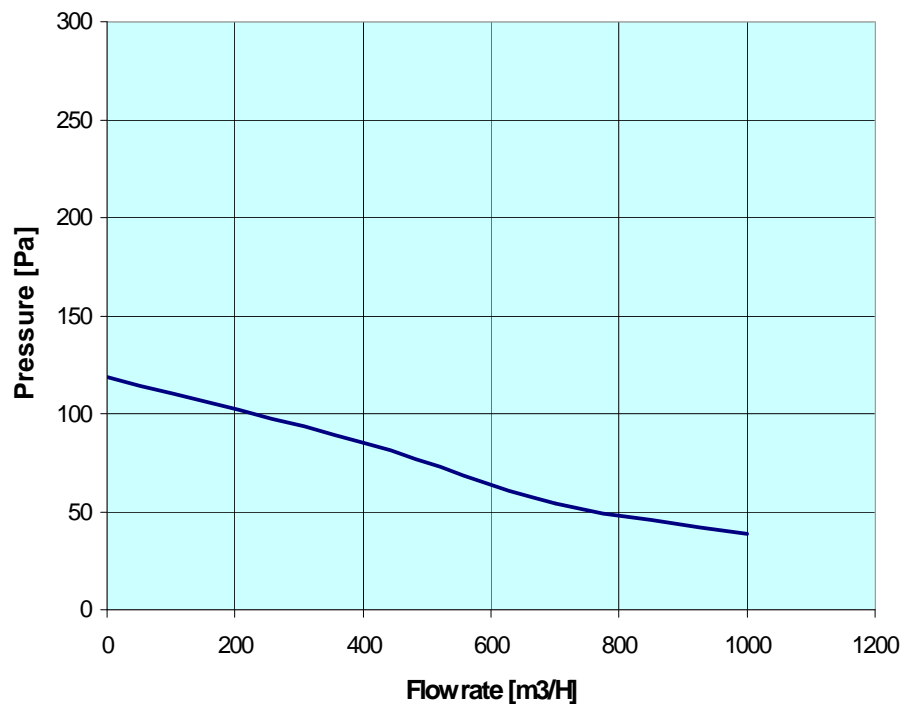
class F

Fanmotor

Fan AX 250

Speed 1

Scroll boccaglio AX 250 x



	Flow rate [m3/H]	Pressure [Pa]	Rpm	WI [w]	il [A]
V 230	0	119	1560	114	0,5
Hz 60	400	85	1960	112	0,48
	700	54	2240	108	0,47
	1000	39	2330	106	0,46

V	Hz	μ F	Tested equipment	Δ Tm	Δ Ta	Rpm
244	60	2,5	Free Air	60	61	
	60	2,5				

Locked Rotor test

V	Hz	μ F	W	A
230	60	2,5		

