

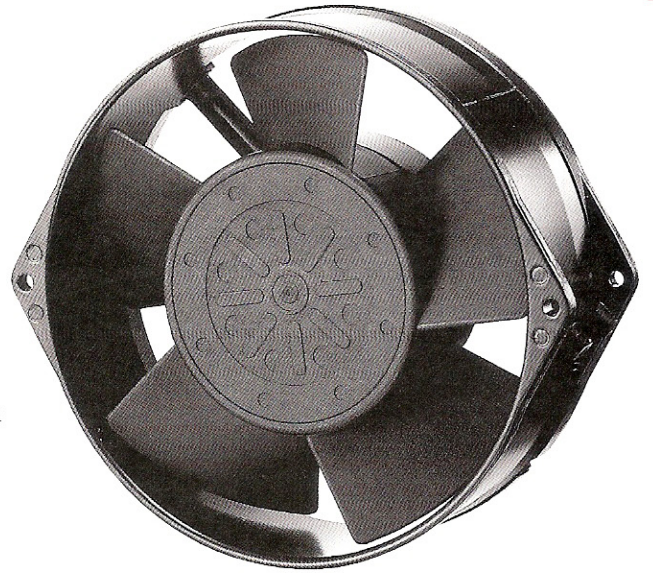
# COMMONWEALTH AC AXIAL FAN

## FP-108C

162x150x55mm

## FP-108CX

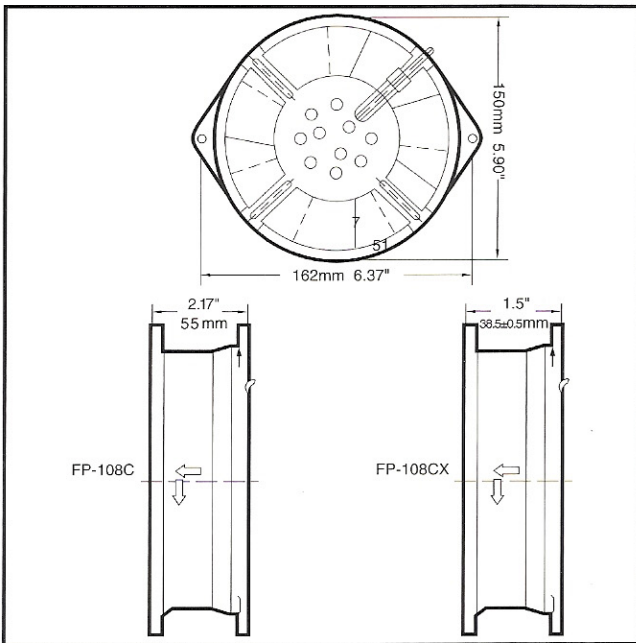
162x150x38mm



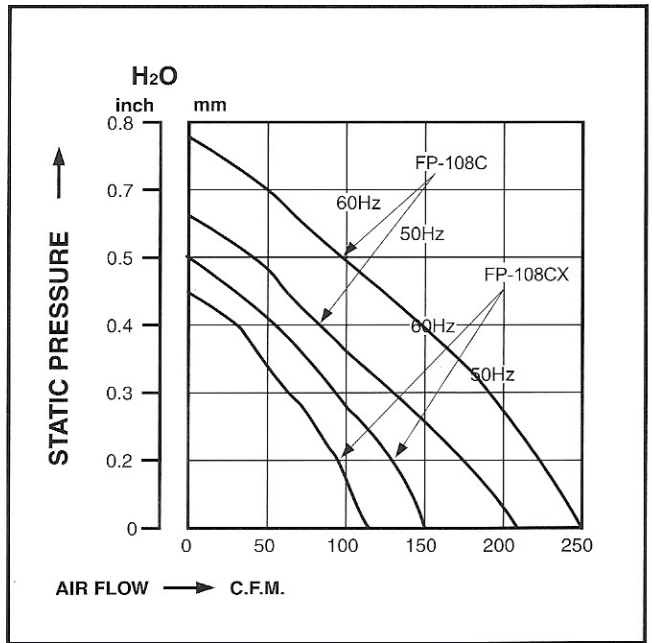
### DESIGN FEATURES

- \*BEARING SYSTEM: BALL BEARING
- \*IMPELLER: PLASTIC WITH FIBER GLASS FILLED UL 94V-0 & METAL
- \*HOUSING: DIE CAST ALUMINUM PAINTED BLACK OR NATURAL COLOR
- \*MOTOR: SHADED POLE, IMPEDANCE PROTECTED
- \*CONNECTING: WIRE LEADS
- \*OTHER VOLTAGE: 24, 48, 100, 380AC (50/60Hz) ARE AVAILABLE

### DIMENSIONS:MM



### PERFORMANCE



### SPECIFICATIONS

Specifications are subject to change without notice

MODEL NO.	VOLT (VAC)	FREQUENCY (HZ)	AIR (CFM)	VOLUME (M <sup>3</sup> /MIN)	CURRENT (A)	POWER (W)	SPEED (RPM)	STATIC PRESSURE (INCH-H <sub>2</sub> O)	NOISE (dBA)
FP-108C	110/120	50/60	210/250	5.9/7.00	0.5/0.45	38/35	2700/3000	0.63/0.79	51/54
	220/240	50/60	210/250	5.9/7.00	0.5/0.45	32/31	2700/3000	0.63/0.79	51/54
FP-108CX	110/120	50/60	140/130	4.0/3.7	0.30/0.27	22/20	2300/2000	0.38/0.36	31/30
	220/240	50/60	140/130	4.0/3.7	0.18/0.16	27/24	2300/2000	0.38/0.36	31/30